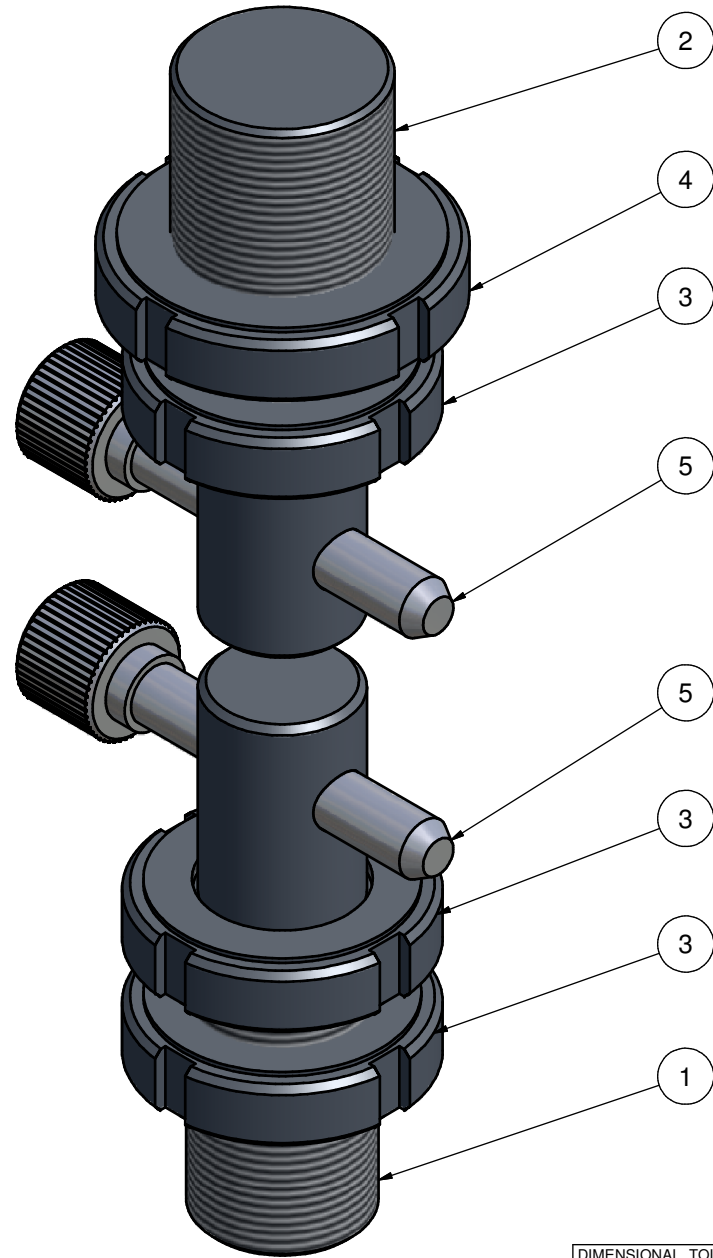


REVISION HISTORY		
REV	DESCRIPTION	DATE
A	Initial Issue	07/09/2006

Parts List				
ITEM	QTY	PART NUMBER	TITLE	
1	1	03-820-2831	Nosepiece - U Series - M36 / 1.25"	
2	1	03-820-2841	Nosepiece - U Series - M42 / 1.25in	
3	3	03-820-2851	Locking Ring - M36	
4	1	03-820-2852	Locking Ring - M42	
5	2	F100-1067	Chuck Pin - 03-101-1067	



REMOVE ALL BURRS AND SHARP EDGES
ALL DIMENSIONS IN mm
SCALE (U.O.S.) 1 : 1
MATERIAL
FINISH --

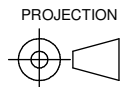
TITLE
U Series Grip Fixing Kit - 1 1/4" - M42 L'Cell



Tinius Olsen Ltd

© 2006

DO NOT SCALE
IF IN DOUBT - ASK



ISSUE
A

SHEET
1 OF 1

DIMENSIONAL TOLERANCES (U.O.S.)	
DECIMAL 0 D.P. +/- 0.40	FRACTIONAL +/- N/A
DECIMAL 1+ D.P. +/- 0.13	ANGULAR +/- N/A
DRAWN Nick Davy	DATE 07/09/2006
CHD.	APPD.
STORES	USED ON
DRG. NO.	98-820-1802

A3

A