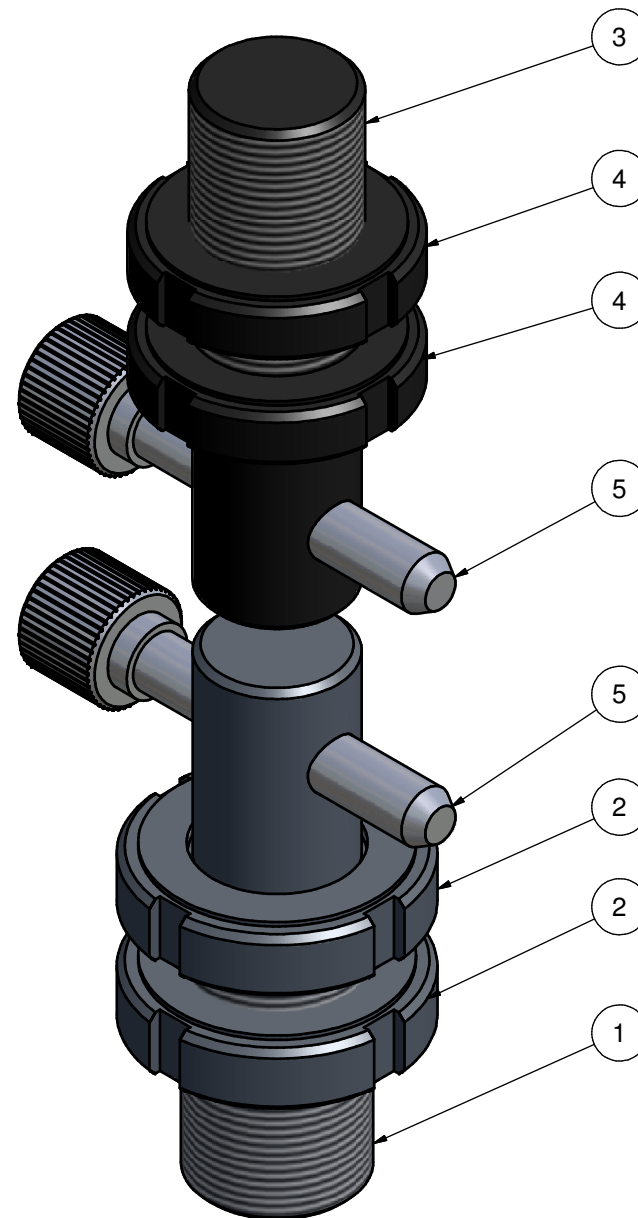


REVISION HISTORY		
REV	DESCRIPTION	DATE
A	Initial Issue	07/09/2006



Parts List			
ITEM	QTY	PART NUMBER	TITLE
1	1	03-820-2831	Nosepiece - U Series - M36 / 1.25"
2	2	03-820-2851	Locking Ring - M36
3	1	03-108-1066	Nosepiece_M33 - G100-1066
4	2	03-108-1067	Nosepiece_locknut_M33 - G100-1067
5	2	F100-1067	Chuck Pin - 03-101-1067

REMOVE ALL BURRS AND SHARP EDGES
ALL DIMENSIONS IN mm
SCALE (U.O.S.) 1 : 1
MATERIAL
FINISH --

TITLE  
**U Series Grip Fixing Kit - 1 1/4" - M33 L'Cell**

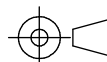


Tinius Olsen Ltd

© 2006

DO NOT SCALE  
IF IN DOUBT - ASK

PROJECTION



ISSUE  
A

SHEET  
1 OF 1

DIMENSIONAL TOLERANCES (U.O.S.)	
DECIMAL 0 D.P. +/- 0,40	FRACTIONAL +/- N/A
DECIMAL 1+ D.P. +/- 0.13	ANGULAR +/- N/A
DRAWN Nick Davy	DATE 07/09/2006
CHD.	APPD.
STORES	USED ON
DRG. NO.	<b>98-820-1801</b>

A3

A